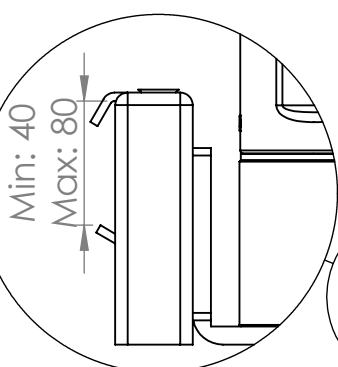
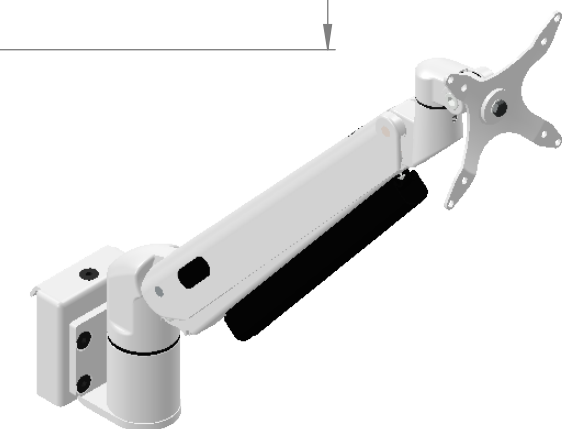
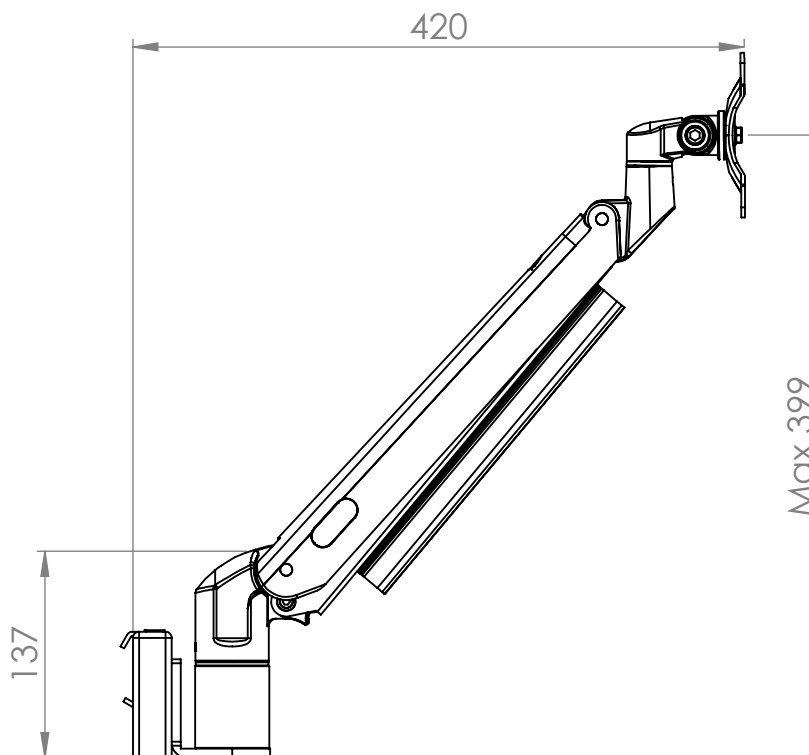
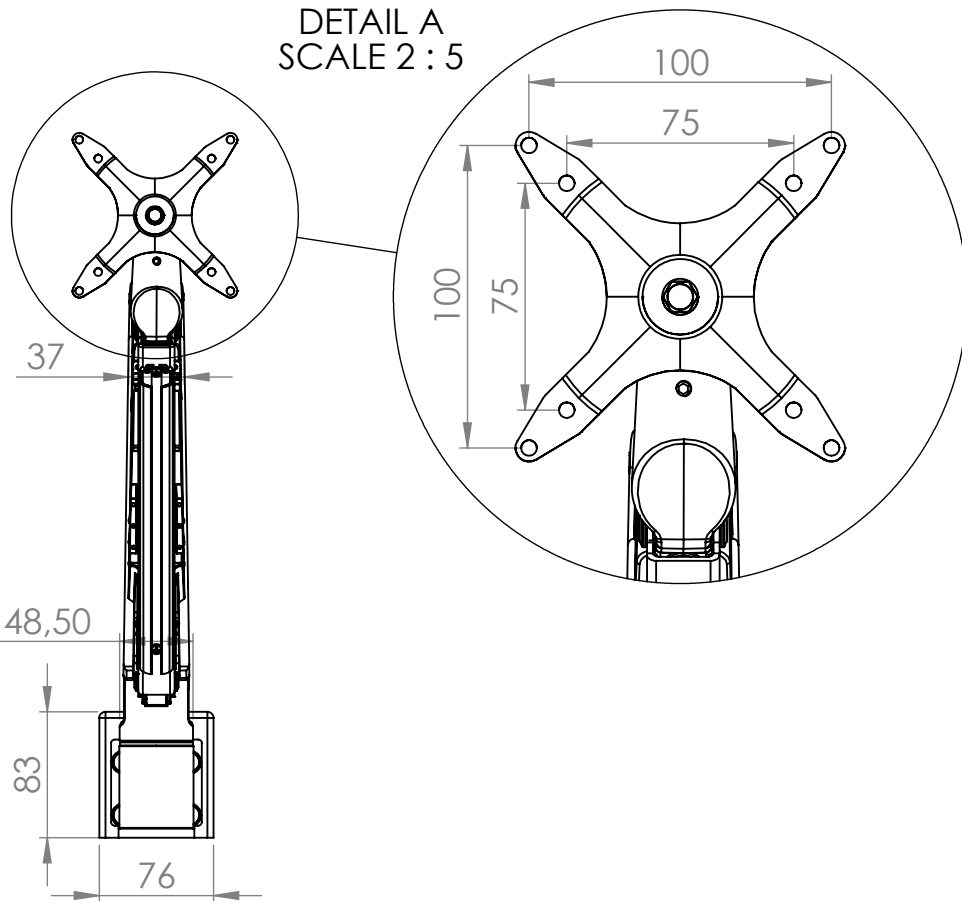
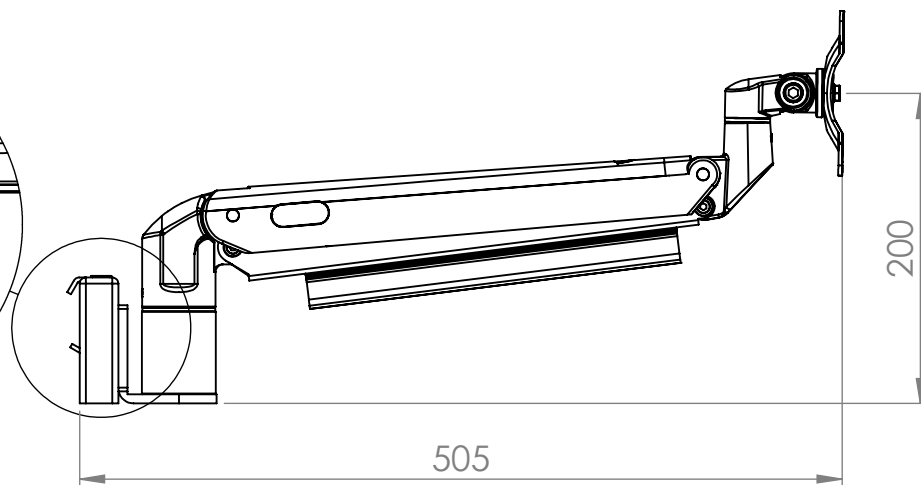


DETAIL A
SCALE 2 : 5



DETAIL B
SCALE 2 : 5



Art.nr. 616525		Name Monitor arm ZAP Toolbar 3 (1,5 - 7 kg)		
Last saved by Tolle	Last saved 2019-12-09	Material	Rev	Format A4
Created by Tolle	Created date 2019-12-09		Scale 1:5	Page 1/1