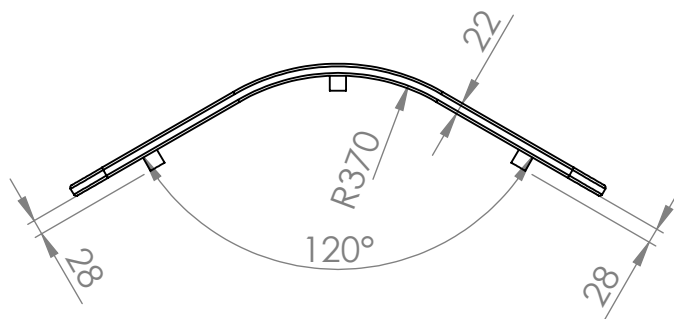
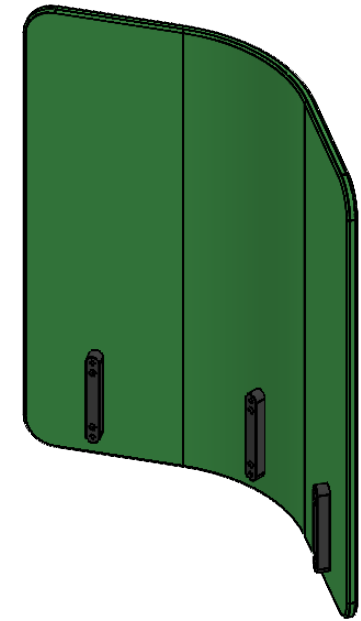
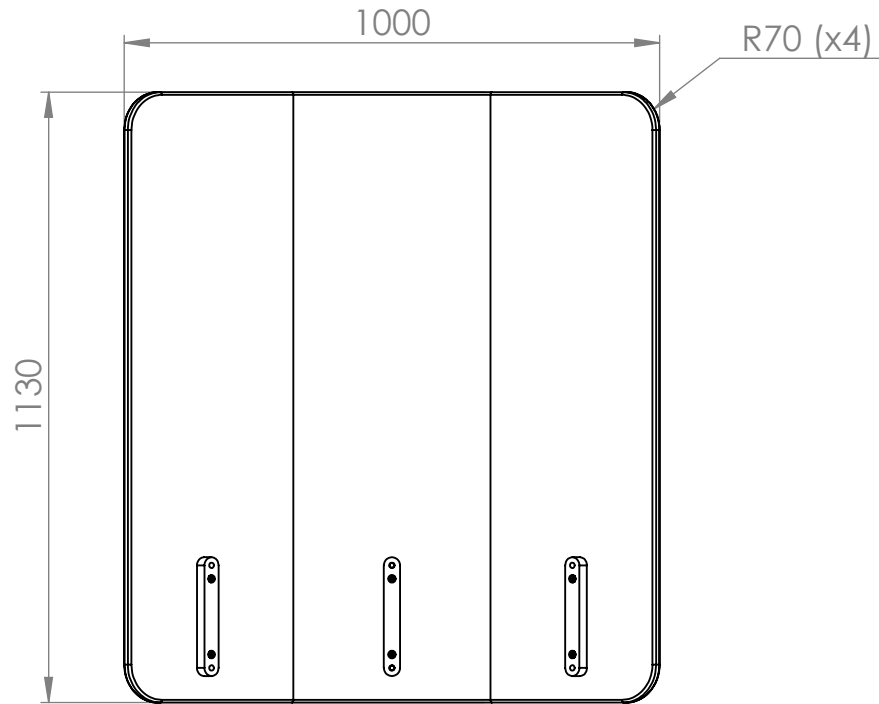
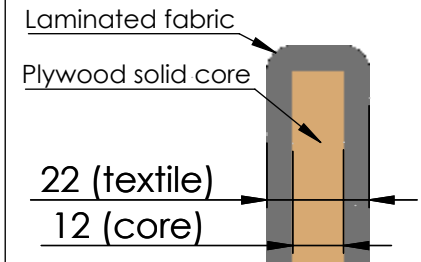


These measurements refer to the frame work and do not include upholstery, seam or zip

Tolerances (mm)			
Dimension			Deviation
(1)	-	20	±0,2
(20)	-	50	±0,5
(50)	-	200	±1,0
(200)	-		±2,0



Section view of RomboScreen



Art.nr. 647163		Name RomboScreen		
Last saved by Jonathan	Last saved 2021-10-29	Material	Rev -	Format A4
Created by Jonathan	Created date 2021-10-22		Scale 1:14	Page 1/1