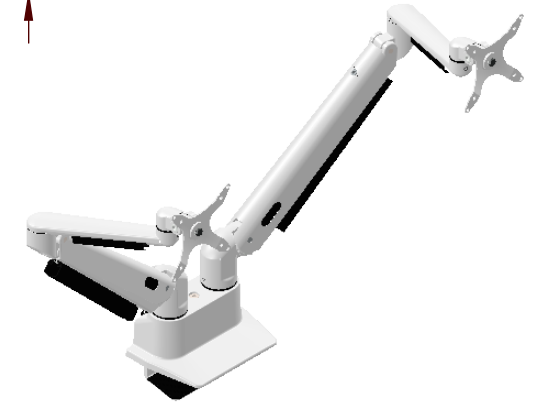
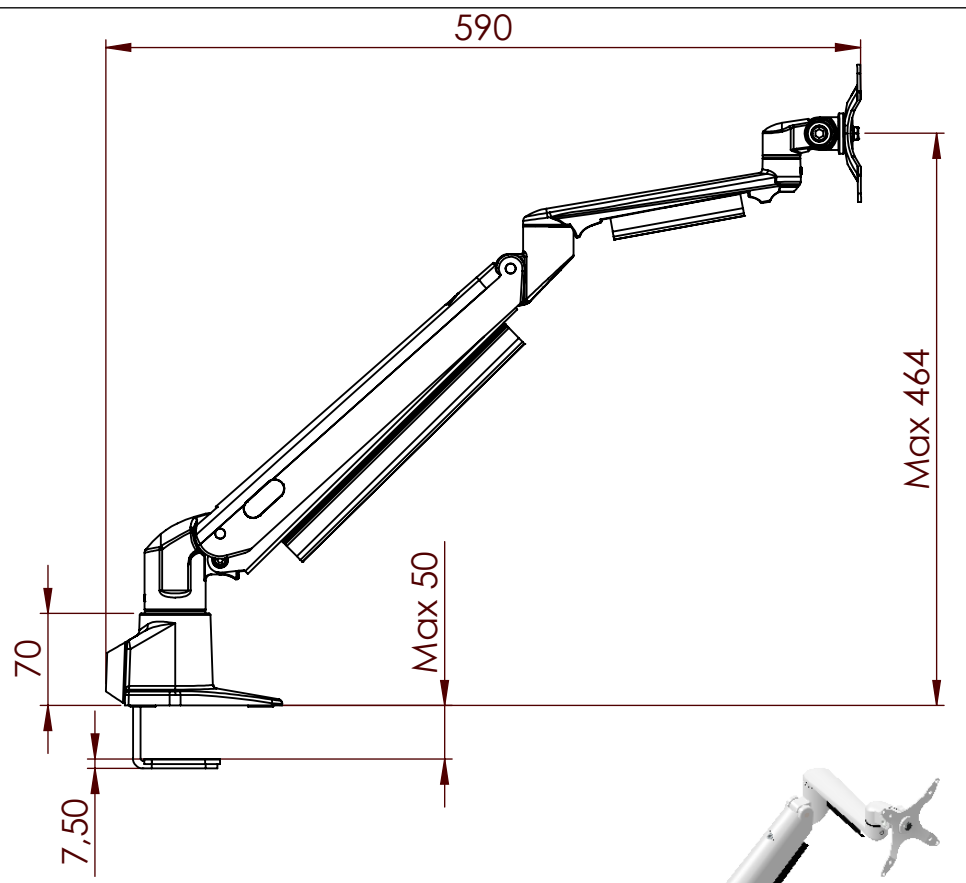
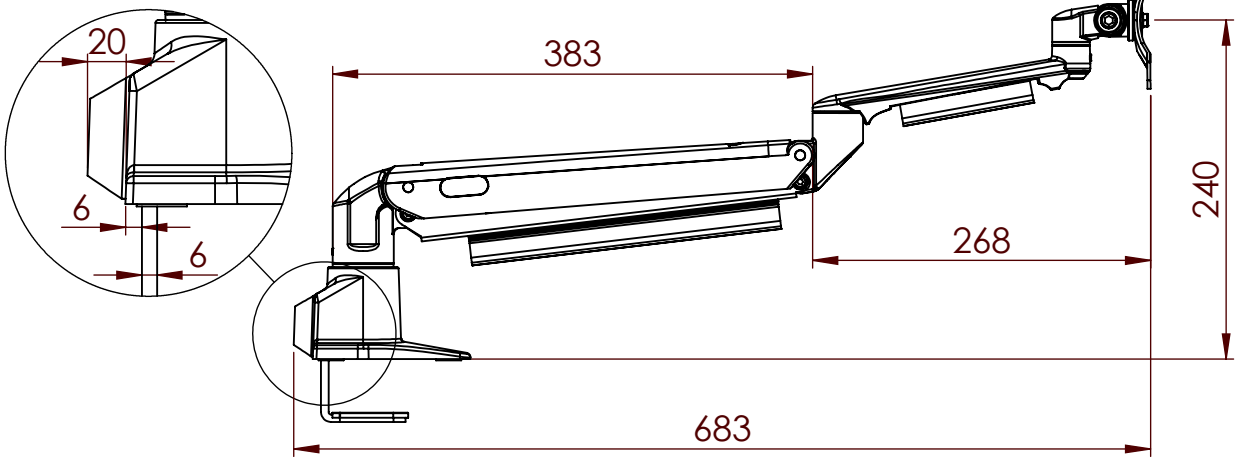



DETAIL B
SCALE 1 : 3



 GÖTESSONS				
Art.nr. 618525		Name Monitor arm ZAP Twin (1,5 - 7 kg)		
Last saved by Tolle	Last saved 2021-05-17	Material	Rev	Format A4
Created by Tolle	Created date 2019-11-26		Scale 1:6	Page 1/1